



The Woodcrafters

TAURANGA WOODCRAFTER'S Guild NEWSLETTER

Issue 255

June 2013

Website; www.taurangawoodcrafters.org

In This Issue:

Ponderings of the Month	Page	1
Meeting Report;	Page	2-3
What's on	Page	4
Group Reports;	Pages	5-9
From the Editor	Page	10
Woodworking Tips	Pages	11-13
Our Sponsor Page	Page	14

TWCC Committee;

President;	Peter Seaton	576 8083
Vice President;	Mike McCarthy	575 2991
Secretary;	Geoff Warth	579 3637
Treasurer;	Grant Parker	544 9373
Newsletter Editor;	Selby West	578 8934
Wood Person;	Mike McCarthy	575 2991
Building project convener;	Doug St. George	573 8399
Committee;	Roy Tregilgas	574 7405
	Stephanie Simpson	544 3194

Not on Committee

Librarian;	Jim Reilly	577 9574
Workshop Manager;	John Harrison	544 1950
Webmaster;	Rob Smith	5769652

Club Meeting; 3rd Saturday afternoon of each month
1.00pm at our Clubrooms.

Clubrooms; 16 Yatton Street Greerton Tauranga.

Correspondence ; P.O. Box 9270 Greerton Tauranga

Secretary E-mail; Geoff Warth; gep@kinct.co.nz

Club Website; www.taurangawoodcrafters.org

Next Meeting; Saturday 20th July 2013

Group on duty; Group Six Toy making

Demonstration-Speaker;

Ponderings of the Month

My trip to Brisbane to the "Timber and Working with Wood Show" was for me a bit disappointing, as it was mainly made up with trade stalls with very little actual wood crafting. However I did manage to spend some money on woodworking tools!!! The show aside it was also good to be able to spend some quality time with my son and his family who live in Brisbane.

For hundreds of years, windmills around the world have been used to pump water and to process grains. But in the last few decades, as wind turbines producing electricity have become prevalent, a "fly in the ointment" expectantly occurred.

Researchers have discovered that a wind power generator works fine at slow speeds, but at high-wind velocity, bugs on the blades reduce power output. Operators found that it was necessary to regularly wash off the build-up of dead insects to avoid having them slowly decrease the turbines power output.

A build-up of negativity in a person's life is a major problem as well. Positive thoughts, positive friends, positive speech will cause us to run on full power. We need to disassociate ourselves from all negative situations which decrease the power of positive living and rob us of our energy. Make sure that at the end of each day we 'wash our blades' so that we can experience full power for tomorrow.

A strong positive mental attitude will create more miracles than any wonder drug – Patricia Neal

Peter Seaton



MEETING REPORT;

Members in attendance; 32 Members were in attendances

New Members; The Guild welcomed James Rutledge as a new Member.

Guild Membership; There have been 12 more Members re-join since last month's meeting, and two more are intending sending their cheque by the mail. There are still 20 or so Members who have not re-joined, so if you do intend becoming a Member for this year, **please join now** or this will be the last Newsletter you will receive until you once again become a financial member.

Certificate for Jim Reilly; The committee had decided at our last month's meeting to give Jim Reilly a Certificate for the work he has done in the Guild. Doug had produced a certificate, and has made a nice wooden frame for it. Unfortunately Jim was in Hospital, so was not at the meeting to receive it, but it was shown to the Members at the meeting. There was also a card passed around for all the Member present to sign. Peter was going to go up to the Hospital to present it to him after the meeting.

Soul Seeds; Ian Dawkins and Derek Kerwood have made 40 of the Soul Seeds each, which has filled the order from the Funeral Home, and at present they don't want any more. Derek felt that \$5.00 for each one was not enough, and negotiated to sell the next lot for \$8.00 each. Members who have made more were told to hang on to them, until we receive another order for them at this new price. There are several ways to make them, and Derek uses only one centre at the big end and two centres at the small end.



Raffle; Was won by Craig Dean

Critique; There was only one item on the critique table today, one of Jacob's very nice music boxes. Derek Kerwood commended on it. He said he would be away for the next two months.

Our Guest Speaker today ; was Russell Smith, one of our Guild Member from Group Five. Russell said he was earning a living trapping Possums with a mate at Murupara and said at that time there was good money in possum skins. In 1963 they were in the Pub, when an Army chap was putting up posters to encourage men to join up with the Army to go to Malaya. Russell decided that that was for him and signed up. Some 6 months later after passing his medical, and he was in the Army, with basic training at Burnham Christchurch, then Corp training in Waiouru in 1964, then back to Burnham to join the Battalion going to Malaya. He missed out on going with the main Body, but 3 weeks later joined the reinforcement squad in the Terendak camp in Macacca. Russell said it took them three days to get there in a DC3 plane with no seats, and it was also very cold too.

Their rear group of about 25 made into what they called "The milk bottle Platoon" because of their white legs. It was very warm there, and on their first exercise to become acclimatised to the heat the Sargent got them hopelessly lost, and they ran out of drinking water. Russell came down with very bad heat exhaustion. They put him in a Buffalo wallow but that was





just as hot and didn't help. They later came to a creek and put him into that to cool him down. He ended up in a small base hospital where he was forgotten about for over week. He was able to get a ride with a British outfit back Terendak, but they had booked him Absent Without Leave. On arriving back he did various exercises to get used to Jungle Warfare.

They went down to the Thailand Boarder, and when they came back from there, they had 2 weeks leave in Singapore. Then on the 9th September 1964 Sukarno sent 350 troops into Johoru. B Company were selected to go after them.

In 1965 he had 6 month's in Borneo. Back in Burnham New Zealand in 1965 he worked as a driving instructor teaching the recruits how to drive trucks, then was transferred Waiouru and was involved with building the airstrip. Discharged in 1966.

Thanks Russell for a great talk. I hope I didn't make too many mistakes with your notes.

Selby West



What's on;

Group one; Woodcarvers. Clubrooms. Monday 8th July. 9.30 at the Clubrooms.

Contact Ivan Watchorn Ph. 07 308 7914

Group two; Woodturners. Tuesday 9th July. 1.30.

contact Seth Douglas Ph. 576 5815

Group three; Woodturners. Saturday 6th July at the Clubrooms 9.30 am.

Contact Jim Reilly Ph. 577 9574

Group four; Woodturners. Tuesday 2nd July 1.00pm.

Contact John Adnitt 576 9130 or Harry Bimler Ph. 572 2071

Group Five; Scrollsaw and Intarsia. Wednesday 3rd July. 9.30 am

Contact Lauren Tubby Ph. 5720104

Group Six; Toy Makers. Saturday 13th June. 9.30 Tuesday 23rd July. 6,30pm Contact Roy Tregilgas Ph. 574 7405

Group Seven; Night Shift. Wednesday Nights 9th & 23rd, July 6.30–9.30 pm Contact Roy Tregilgas Ph. 574 7405

Woodcraft Classes for Home School Students; Wednesdays. 3rd & 17th July. 1.00pm

Contact Doug Ph. 573 8399

Main Meeting; Saturday 20th July. 1.30 at the Clubrooms.

The Home Show 18th to 20th October

Tauranga Woodcrafter's Guild Annual Show; 15th to 17th November will be held in the Mt. Maunganui Sports Centre, Maunganui Road, Mt. Maunganui.

Guild **BBQ** will be— one at Bunnings Saturday 24th August, and one at Mitre 10 Saturday 29th September. So much for me reporting that there was to be one each fortnight!!! It appears that these were the only days left not booked.

Guild of Woodworkers Wellington Inc.; 4th to the 21st July. 6 & 7 July, Wood Turning Plus 2013 and Festival of Wood Skills Exhibition held at Bottle Creek Gallery, Pataka, Cnr Norrie & Parumoana Street, Porirua.

Contact John Spittal Ph. 04 478 3164 Email spittals@xtra.co.nz

Manawatu Round-Up 2013; 19-21 July 2013 Ashurst Village Valley Centre. Ashurst, Palmerston North A Jamboree style event for all woodworking arts. Bring your wood lathe, scroll saw, carving tools, wood etc. or just turn up.

Friday from noon, Saturday all day Sunday finish 3pm-4pm

Contact Malcolm Pettman Ph. 06 335 0166 or Email mbpettman@xtra.co.nz

NAW Annual General Meeting; 20th July 2013 to be held at 1pm on Saturday. Held during the Manawatu Round-Up. Ashurst Village Centre, Ashurst, Palmerston North.

Kawerau Woodfest & National Woodskills Competition; 13 to 15th September. Entry forms by 30 July 2013. Exhibits to be received by 31 August 2013. send entries & exhibits to; Woodskills, KEA Building, 60 Onslow Street, Kawerau

Contact Phyllis Rangihika Ph. 021 293 0208 Email pmrangihika@slingshot.co.nz www.kaweraudc.govt.nz/events





Group Reports

Group One Woodcarvers; 2nd Monday 9.30am

Carvers met with their usual enthusiasm this month. Most were busy on their own projects- Barwick, deftly carving an owl to position in a natural wood knot hole. (very effective) ; Tom working on a 21st Birthday Key for a grand-daughter; Harry preparing legs for a table he is making; Alan, building up his arsenal with a display board exhibiting an old rifle (Completed) and a hand gun and holster (being worked on; Ken is starting a special "fish" but only managed to snatch a few minutes of carving between guiding very keen, and potentially able, 11year old, home schooler, Braxton. He completed his "Fish" and was able to mount it on a board provided by Ivan. And very good it looked too! Good on you Braxton and helpers. Ivan is still mentoring the McQuoid boys. Caleb is persevering with his carving, but Zane has opted to carve a free form animal in the round. Easier perhaps, but still challenging.

On the Social side- We all miss not having Peter Steward around, but to soften this, Ken has arranged for an afternoon tea- an opportunity for **all** carvers to honour Peter- See you at Ken's home, 2.30 pm. Sat. June 30th. We also geared ourselves up for our usual mid-year social pot-luck evening; this year to be held at Harry and Coleen Bimler's home, on Sat. July 27th. (This just happens to be Ivan's birthday). Woodcarvers and their "Partners", please keep this date free as well.

This Week's Howler "Rainbows are just to look at, not really understand". (With this weather, I am inclined to agree!)

Next Group Meeting 8th July.

Jean Crabtree for Ivan Watchorn - Group Leader. Phone 576 9011

Group Two Woodturners; 2nd Tuesday 1.30pm

Group Two met at my place on Tuesday, 11th June, 2013. Many Thanks to Harry Bimler and Ralph Harding for providing the most enjoyable and sumptuous afternoon tea, which we had in the warmth from the heater. The day was going to be my last day that I was going to be leader of the Group Two, and that I was going to resign, not only because of the theft of some of my tools etc. at the Clubrooms, but mainly because of the way the Committee had handled Jacob von Holzen and my nomination for Life Membership for Jim Reilly, whom I had written about in last month's Newsletter, that he had done for the Guild over the last 17 years. The nomination was rejected without any explanation as to why a most deserving elderly gentleman and what he had done for the Guild, wasn't worthy and the Guild Committee would not afford him the decency of recognition. I mentioned to the Group that I had the idea that their next move would be to hand out a Certificate and I was proved correct. It was through Harry Bimler who had spent some time with me as well as the others in the Group who said that if I resigned, so would they. It was through them that I said I didn't like that idea and would stay on.

As I mentioned to Group Two, most of the fellows are new comers who don't really know what has happened over the years in the formation of the Guild. I thought, perhaps my Sons and grand children and others, should be informed about what I have done for the Guild and fulfilling their wishes. Their first wish was for a Lathe, so I bought them the 1500 Teknatool Lathe, made in N.Z. The 2nd wish was a buzzer, so I brought them a Tanner, made in N.Z. The 3rd wish was a Thicknesser



and I bought them one. A set of gouges and a spare Lathe Chuck and I could go on. "I hear you say, so what?" all these wishes granted to them and never filling a wish for me.

Peter Fox was a member of the Guild and through his knowledge about grants and through my method of applications, according to Ms. Bengé and Mr. Avon Carpenter, who was on the Board, I was successful in both times, getting the router first and the following year the saw bench. The Guild received half the amount from the Grant. I was informed that it was the way in that I had applied, as well as showing photographs of the Crippled Children, all smiles receiving the donations from the Tauranga Woodcrafter's Club.

Getting back to Peter Fox, he was trying to explain something and that the Club should do another way, and two of our members said to him, "look why don't you (swear words) off" and that is what he did. The Guild wonders why they can't get new members. Word of mouth travels, and attitude is sometimes awful. "Attitude leads to Altitude"

The way that the Rules for nominations, as it is, is quite dangerous. The Committee decides whether the nomination is granted or not. The members whose moneys keeps the Guild running has no input into the decision, whether the Committee votes for or against. The members aren't even informed that such a nomination has been received or made, which is where the danger is. They can nominate and pass themselves, through their votes and members haven't a say in the matter.

Jim Reilly was in the Tauranga Hospital. He was admitted there at 10 past 2 am Wednesday morning and hopefully return home on 17th or 18th

Group Two meet again at my place on Tuesday, 9th 1.30 pm

Seth Douglas Ph. 576 5815

Group Three Woodturners; 1st Saturday 9.30am

Group Three met at the Guild Clubrooms on Saturday 1st June. Ian Dawkins and his Brother Marcus Dawkins were able to come to the meeting and they brought along 3 walking sticks, one in particular was very old and had been made completely of small pieces of anther threaded over a steel rod. It was a beautiful walking stick that had once belonged to their father. Thanks to Marcus for his talk how about how things are done in the South Inland and the different timbers. The Californian Lilac was a great wood to work with, and was the first of the trees to blossom with the small blue flowers in the Spring. It reminded me of the song, sung many years ago, "we'll gather Lilac in the Spring again" Marcus mentioned that he was born in Tauranga many years ago and has decided to live in Tauranga now, coming back to his home City. His machinery is still at Taupo at the moment. Jim Reilly had made a long length tool rest that he had made from hardwood for the purpose of working on long lengths of wood that he has been working on, with his extended bed on his lathe. It was a great and successful idea which did the job intended. Jim also showed us how he turned a piece about the size and thickness of a pencil, detailed the piece and then divided the pencil size piece into four, lengthwise. "Now that's magic". Thank you for coming to the Show and Tell and we meet again on Saturday July 6th 9.30am.

Seth Douglass for Jim Reilly 5779574



Group Four Woodturners; on the first Tuesday of the month 1.30pm

On a very wet and cold Tuesday 4th June ten hardy members met at Everwood Furniture in Mt. Maunganui.



Ian Dawkins introduced owner Richard Parkinson who gave us

a guided tour through their showroom and workshop facility. The first to take my eye was a specially designed stool to show off a small antique saddle - lovely! Pride of place in the showroom went to a huge Rimu dining table with ten chairs. Table valued at \$14,750 and the chairs \$1200 each.



Richard has only owned Everwood for three years but in that time has progressively replaced all the major machinery. The two main items are the SCM Router and Sander. With the computerised router you can set it up to cut out chair legs etc. then go and have your lunch and 'Presto' job done! Well almost! It can cut the components down to .2mm and the complete slab is then put through the big sander which soon takes off the excess and separates the sections.

The sander has five motors totalling 75 hp driving five separate belts.



Richard showed us different router cutters and other tools and explained their use. Finally we looked at the storage area to round off a very interesting tour.



Thank you Richard.

We then moved to our clubrooms for a welcome 'Cuppa' and 'Put the World to Rights' session

Many Thanks Ian for an interesting afternoon!

Sent in by Morry Lawton.

Group 4 currently has no designated leader, but contact is through John Adnitt 576 9130 or Harry Bimler 572 2071

Group Five; *Scrollsaw and Intarsia*; Wednesday 3rd 9.30am

An enthusiastic group attended our group meeting on 5th June. Russell and Rob are still away. Items on display included a



fretwork fruit bowl and jewellery boxes by Jacob von Holzen, fretwork sleigh by Bob Fergusson, three intarsia pieces by Barry Kenworthy, and one by Glenn Whittaker. After our lunch some of us stayed behind and helped with the Home School pupils that were doing scrollwork.

Our next group meeting will be held on 3rd of July, meeting at the Clubrooms at 9.30am, Visitors are always welcome. Please bring your



lunch

Laureen Tubby

Phone 572 0104 Email ltubby@xtra.co.nz

Group Six *Toy Makers*; 2nd Saturday 9.00am and the fourth Tuesday. 6.30pm. second Tues 25th at 6-30pm

The Toy group are humming along nicely although time is always an enemy, It seems you just get up and running then it is time to pack up but we are getting there. When you think about it 6hrs a month is not a lot of time to achieve what we would like to do, don't worry guys I am not going to ask you to spend more time down there as we do have a home life as well. The two dolls cots have been sold as well as the Mah-jong boards so they now need to be replaced. Mike Buck has built two beautiful rocking horses, Duncan has his two trollies near completion and Chris is working on a hand full of small pull along toys The prototype push cart is now complete and we can now start to reproduce some more of these. Well done team, we will see you at our July meetings of Sat13th at 9-00am and Tue 23rd at 6-30pm.



Roy

Roy Tregilgas Ph. 574 7405

Group Seven Night Shift; 2nd and 4th Wednesday nights 6.30-8.30pm

The change from the 1st and 3rd Wed evening to the 2nd and 4th is now underway although it got off to a tardy start. Here I was sitting comfortably at home while the rest of the group were standing outside the Club Rooms wondering where I was, after a quick call by Matthew I got there as fast as I could, and we were up and running. SORRY GUY'S, I will get used to the new roster.

Isn't it amazing how, when you are in a hurry, every slow driver in the country hits the road at the same time as you. Very frustrating. As we had a late start we packed up early to make up for it, make sense?. That was only because everyone had achieved what they had wanted to for the night. July meeting days are 10th and 24th at 6-30pm.

TAKE NOTE ROY

Roy

Roy Tregilgas Ph. 54 7405

Woodcraft Classes for Home School Students; 1st and 3rd Wednesdays 1.00-3.30pm

HOMESCHOOL CLASS

After a three week break, we were all starting to miss each other! The enthusiasm and energy of the kids is a great stimulus to us oldies doing the tutoring. They are all at the stage where they can choose their own project, from a range offered. Some are even coming with an idea of their own, that we are able to help them put into action.

Doug St.George May 2013

Building Report;

BUILDING PROJECT REPORT June 2013. Doug St.George

Nothing further to report from Council, concerning firming up on the land they have offered us.

My thanks to two members who have taken the time and trouble to give me some well-considered feedback on the concept drawing I published last month. Thanks to a woodie from Otago, I think, who also offered some suggestions after reading our magazine. Take a bow Selby, you are widely read!

I have had ball-park figures from a couple of shed building firms, for an empty shell, which we would finish ourselves. The cost of the labour content in a simple shed, makes me wish a lot of us were 10 years younger!





From the Editors desk;

Hello Fellow Woodworkers,

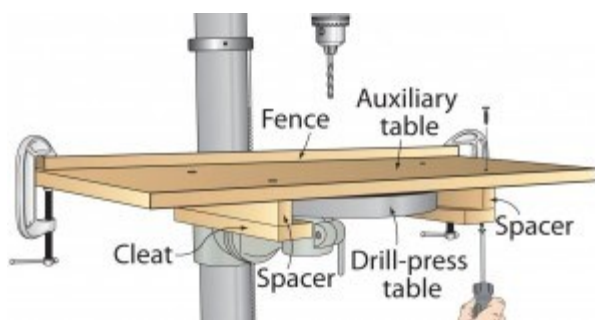
A few years ago it was decided that the Committee should do the running of the Guild business, and leave the Main Meeting for demonstration and talks.

Unfortunately the Committee did not tell the members why the Life Membership for Jim Reilly was declined. We all know that Jim has done a lot for the Guild, but the Committee decided that we could not have any more Life Members at this time. It was an oversight that should have not happened, and we will all learn from it. Life Membership could quite easily get out of control, if the Guild is not careful. I think maybe Life Membership should be scraped altogether including the ones who already have Life Membership, and all be just given a Certificate instead. The Life Membership board we have on the wall could then display Members name were have received a Certificate Award. The same rules could still apply for receiving this Certificate Award, and more Members who have done a lot for the Guild could receive it, and each Member is paying his or her way.

I know that the Guild Members do appreciate all the machines that Seth and others have donated to the Guild. Maybe we should have a list up somewhere, to show what Members have donated in the past.

If Members are not happy with how the Committee is running the Guild, they should step up and get onto the Committee. There is always plenty of room for more Committee Members

Selby West



Super simple drill-press table Most of the auxiliary drill-press tables I've seen are unnecessarily complicated to install. This simple slide-on auxiliary table mounts to round or square drill-press tables, and you don't need to keep installing and removing bolts and nuts. Make the spacers about 1/16" narrower than the thickness of the drill-press table. Place the auxiliary table on the drill-press table before installing the cleats, and then tighten the

cleat mounting screws just enough to hold it firmly. (Over tightening can distort the table.) To remove the table, simply loosen the rear cleat mounting screws a couple of turns each



For sale -

Asmac lathe complete with tools and chuck,
asking \$900,
contact Bill Sidebottom 5443749
(picture attached)

